

SylSmart DALI PCD 1-300 Phase Dimmer SSA

Leading-edge/trailing-edge phase dimmer
9041522

Product Overview



Digital leading-edge and trailing edge phase dimmers

Total connected load: 1 - 300 VA

Zero cross switching supported

1 dimmed phase (output)

With automatic load detection

Surface-mounted casing

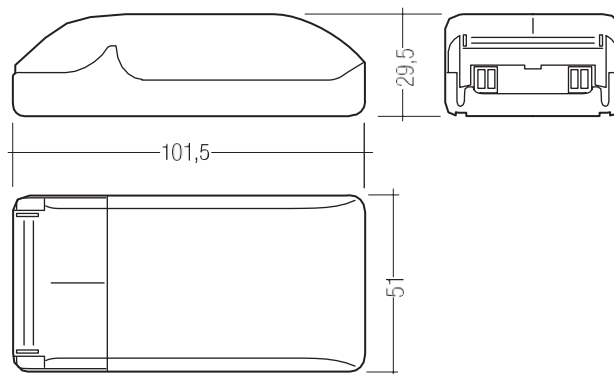
Suitable for operation with LED retrofit bulbs

5-year guarantee



TECHNICAL DATA

Rated supply voltage	220 - 240 V
Mains frequency	50 / 60 Hz
Connected load	1 - 300 VA
Power loss	0.4 W (1.5 W at full load)
Ambient temperature (ta)	0 ... +50 °C
Type of protection	IP20



SPECIFIC TECHNICAL DATA

Type	Inputs			Outputs			Terminals
	Input, DALI / DSI control input	Current draw	Number of DALI addresses	Dimmed phase	Control range, DSI	Control range, DALI	
DALI-PCD 1-300 one4all G2	1	2 mA from DALI	1	1	1 - 100 %	0.1 - 100 %	0.5 - 1.5 mm ²

SylSmart DALI PCD 1-300 Phase Dimmer SSA

Leading-edge/trailing-edge phase dimmer
9041522

1. Standards

EN 61347-1
 EN 61347-2-11
 EN 60669-1
 EN 60669-2-1
 EN 50428
 According to EN 62386-101 Ed. 2
 According to EN 62386-102
 Ed. 2 According to EN
 62386-205

2. Common

Phase dimmers with automatic load detection, leading-edge or trailing-edge.
 Total connected load: 1-300 VA

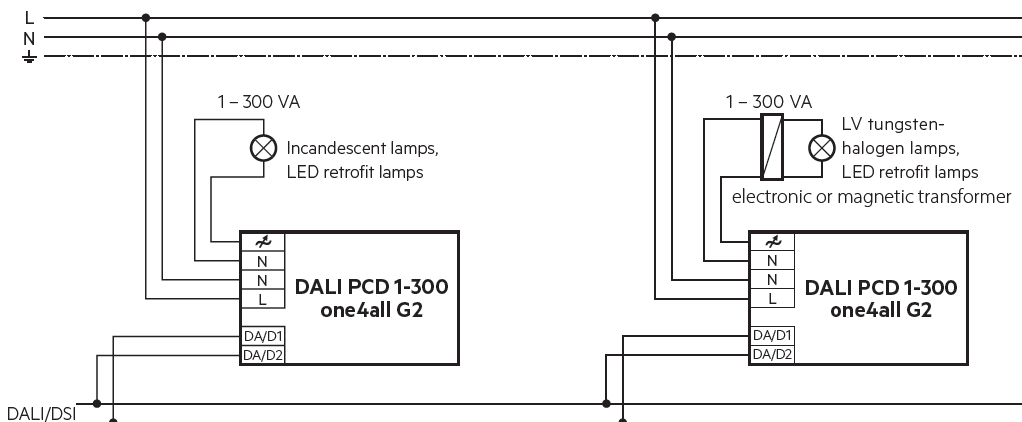
2.1 Area of application

Digital phase dimmers enable low-voltage tungsten-halogen lamps, in conjunction with electronic or magnetic transformers, and ohmic light sources (incandescent lamps) with a total output of 1 to 300 VA to be dimmed.

The digital phase dimmer is compatible with LED retrofit lamps. Because of the variety of different LED Retrofit lamps it is recommended to test the operation before installation. LV halogen LED retrofit lamps that are operated by an electronic or magnetic transformer are also compatible.

3. Installation

3.1 Wiring



Mixed loads (capacitive, inductive and ohmic) may be used.¹⁾

¹⁾ Different loads require different control signals by the dimmer. If various loads are operated simultaneously at the dimmer, e.g. electronic transformers, magnetic transformers, LED retrofit lamps, etc., the dimming signal will focus on the most dominant load. As a result, the other loads may be operated by wrong control signals, which will result in improper dimming. In this case, a decrease in the service life of the loads installed cannot be excluded either. It is therefore recommended to avoid controlling different loads simultaneously by the same dimmer.



Information on minimum dimming level

The PCD 1-300 supports in general a min. dimming level of 1 % for DSI and 0.1 % for DALI. But not every load supports such low levels. For that reason the minimum dimming level is not a static value and is calculated for every load new.

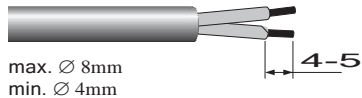
SylSmart DALI PCD 1-300 Phase Dimmer SSA

Leading-edge/trailing-edge phase dimmer
9041522

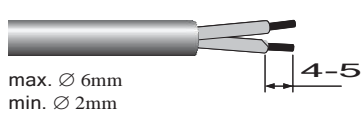
Wiring type and cross section

The wiring can be in stranded wires with ferrules or solid.
For perfect function of the cage clamp terminals the strip length should be 4 - 5 mm for the input terminal.
The max. torque at the clamping screw (M3) is 0.2 Nm.

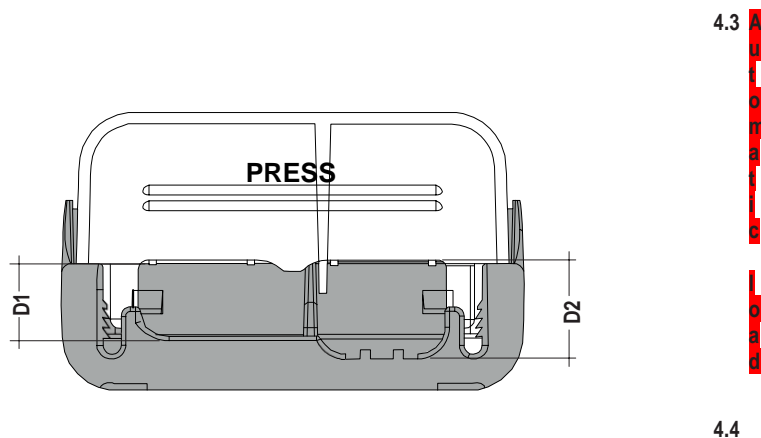
Side D2



Side D1



To get a proper working strain relief it is recommended that the cable jacket diameter of the side D2 is 2 mm bigger than the diameter of the side D1. (This can vary if the used cable jacket material varies from side D2 to D1 in pinching property).



Miscellaneous

Additional technical information at <http://sylvania-lighting.com/connected-building>

Guarantee conditions at <https://www.sylvania-lighting.com/en-int/warranty/warranties>

Life-time declarations are informative and represent no warranty claim. No warranty if device was opened.